

Analytic Manager V8™^{FC-FAMV801}

Centralised Management Analytics Software

Analytic Manager V8™ is enterprise web-based control panel designed for customers who are managing large number of counters. It collects data from all counters and store them in a single place where user can carry out deep analytics. Analytic Manager V8™ provide the full analysis of traffic data for individual stores and across multiple store locations, region and the entire chain including:

- (a) **Visitor entering and exit at the entrance,**
- (b) **Sales conversion,** and
- (c) Other Wi-Fi metrics like **passerby, visit duration, returning customer** and etc.

Key Features

- Easy to Set Up
- Available on web, tablet and mobile
- Counter and Branch Details Configuration
- Pre-defined 15+ Reports and 60+ KPIs
- Health Check Monitoring
- Import Sales Data for comparison with Footfall
- Data Export or Integrate with 50+ Business System
- Account Management
- Email Scheduler
- Regular Backup
- Support Multi Language

Minimum Server Requirements	
Operating System	Window Server 2012 R2 and above
Windows Browser	Google Chrome (Current Version)
Storage	500GB to 2TB support up to 2000 Devices
Processor	3.1 GHz (64-bit Processor) with Multi-Core
Physical Memory	16 GB
Web Server	Internet Information System (IIS) 7.0 and above
Microsoft .NET Framework Version	4.0
Database	MS SQL Server 2016 and above

Software Specifications	
Interface	Http; Https
Compatible Browser	IE7 or Later Mozilla Firefox or Later Chrome Version 4.0 or Later Safari
User Levels	2 levels: Administrator, Standard User
Ethernet	10/100 Mb Ethernet
Time	NTP, Adjustable time zone, automatic day light saving adjustments
Data Delivery	TCP/IP
Database Type	SQLite
Report format	csv, .xml, .txt
Data Storage	5 Years storage with auto sync
Data Backup	Yes
Backup Frequency	Daily Full Backup for Data and Configuration File Weekly Backup to Sub Server for Contingency Purpose
Software Version Upgrade	Auto Upgrade

Pre-Defined Report Set

15+ pre-defined reporting set designed for different functional role e.g. Top management at headquarter, Marketing Manager, Operation Manager, Regional Manager or Store Manager. There are Company level report set which could provide the overall insight of the store performance in macro view, and store level report set which provide the further insight of the footfall pattern and shopper behavior in deep for any operational and marketing decision.

Health Check Report

A routine system health check is implemented, which check across the whole system to make sure all counters are connected and counting. This health check is usually scheduled to perform daily at a pre-defined time (e.g. 12am). An automated email alert will be sent to the person-in-charge detailing any faults found, making this a pro-active yet manageable approach to maintain all the counters across your retail chain

User Account Management

Different users may have different job responsibilities and need to use the FootfallCam Report Manger TM in different ways. Individual user accounts can be setup for your team member, and access rights assigned accordingly. Every user will be assigned a user ID and password, which they will be able to access from any networked location. System administrator will have remote access to the accounts information, modify access rights and disable any account when a team member leaves the company

Automate Email Scheduler

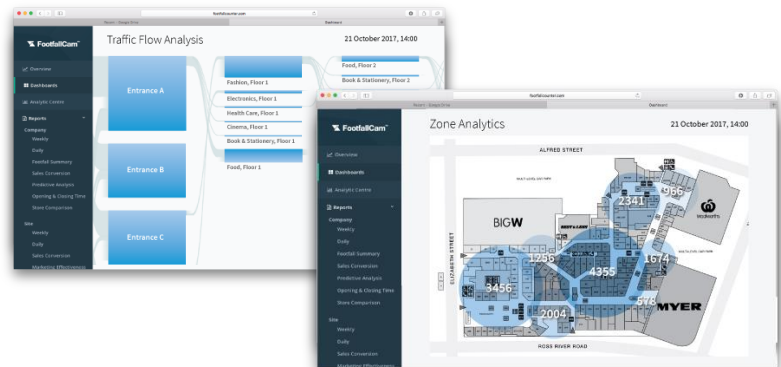
Reports can be scheduled to be sent to the key person (e.g. store manager for the store weekly reports, marketing manager for the campaign effectiveness reports, etc.) via email on a regular basis

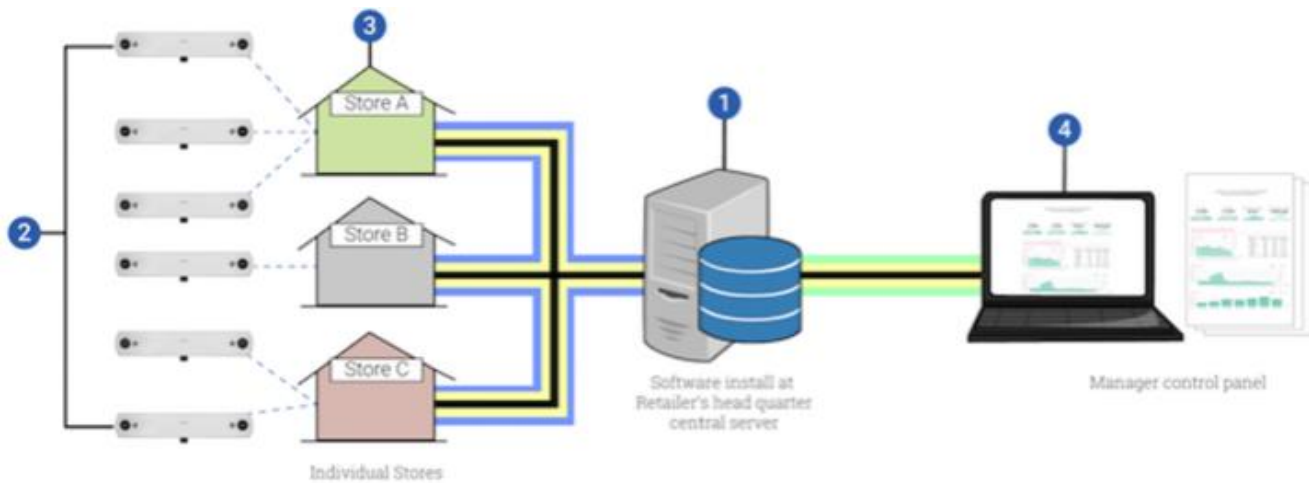
API Available for Data Integration

API are available to import or export data to and from a system. FootfallCam is a fully embedded software module, intended for any environment where store footfall counting is required. Business intelligence (BI) system extracts and analyses footfall data (from FootfallCam central server) together with ePoS data (from retailer's ePoS system) to produce management report for corporate strategic planning

Centrally Managed System

Using a centrally managed server, the user will be able to view the counting data of all the counters registered under their account from one location. The FootfallCam Analytic Manager Cloud hosting option will be able to store an unlimited number of counters, while the number of counters the Corporate Server can store is dependent on the size of the server used. However, all counting data will displayed in one centrally managed system that is accessible remotely from anywhere as long as internet connectivity is available.





Analytic Manager V8™ Server Options:

	Cloud Server	Install at Client's Server
Descriptions	Software and data stored at our hosted server. Retailer able to access via web browser with a secured password or login account.	Software and data stored at retailer's own corporate server. Retailer will be given full access to the software which is having the same function as cloud based software.
Pricing	Free	One-off set-up fee is required for number of device less than 200 units
Software Core Features		
Max Number of Devices	Unlimited	Support up to 2000 devices with 2TB storage
Analytics and Reports	Yes	Yes
Email Scheduler	Yes	Yes
Compare data by store, by time and by different metrics	Yes	Yes
Custom Dashboard created by user	Yes	Yes
User Account Management	Yes	Yes
Health Check Reports	Yes	Yes
Accuracy Audit Function	Yes	Yes
Sales Data/ POS Integration	Yes	Yes
Data Export in csv, pdf, txt and excel format	Yes	Yes
Counter and Branch Management	Yes	Yes
Multi Language	Yes	Yes
Remote Access to the counter	Yes	Yes, provided the device is within the same network
Firmware Upgrade	Automate	Automate, however customer able to control the quantity upgrade per day
Software upgrade	Automate	Automate
Backup and Security Protection		
Data backup	Automate daily backup in cloud server	Backup function available for retailer to set up your own backup
Configuration setting backup	Automate daily backup in cloud server and client's server	Automate daily backup
Contingency backup	Weekly backup to sub server	Not Available
Data Protection	Yes	Yes

